






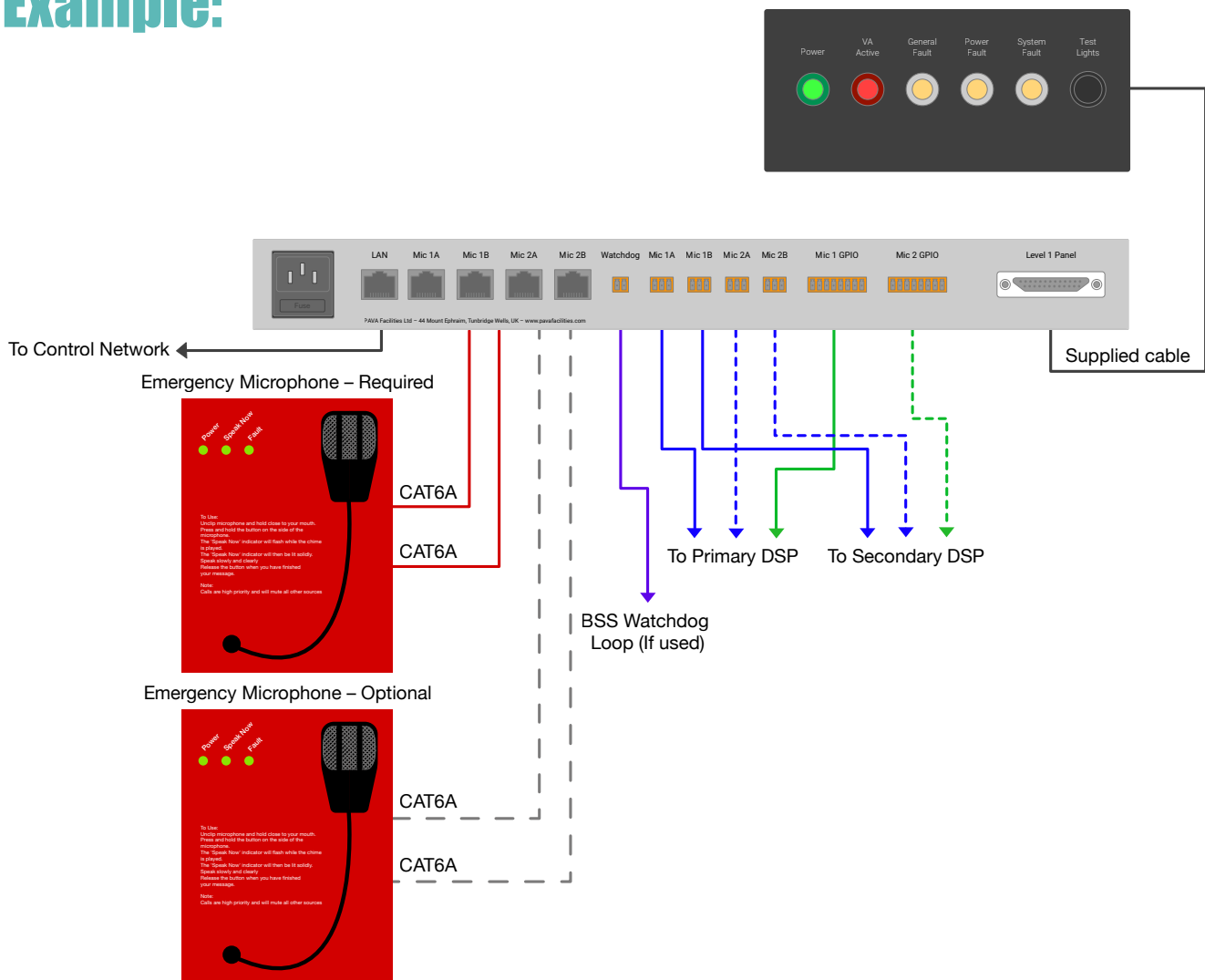
Emergency Microphone



-  Every PFL VACIE requires at least one Emergency Microphone. This is enclosed in a red protective enclosure to make it easy to locate in an emergency.
-  The unit operates as an 'All Call' microphone that when keyed up using the switch on the side of the microphone will issue a high priority to page to all zones of the system.
-  Status indication is given with a simple set of indicators. Normally just the Power indicator is lit. If there is any fault on the system the Fault indicator will illuminate.
-  Once the mic has been keyed the Speak Now indicator will illuminate to show routing has been completed and the Pre-Announcement Tone has been played.
-  The microphone is connected to the L2 panel in the nearest VACIE rack using two CAT6A shielded cables.

Dimensions	Weight	Connector	Cable length
TBC	3kg	2 x RJ45	None supplied (max 10m)

Connection Example:



pavafacilities.com +44 208 123 6813 info@pavafacilities.com

All rights reserved. Information in this document subject to change without notice.
 © 2020 PAVA Facilities Ltd. DST-0001-OEM Revision 1.0 July 2020